

auto electrical parts

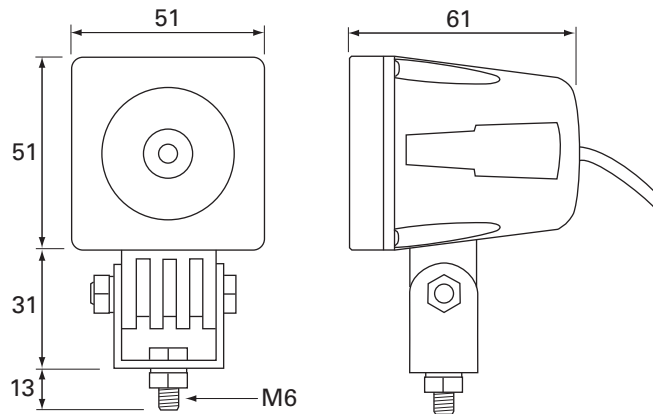
Technical Information Sheet

Part No. 0-420-50

A powerful and compact single 10 watt 12/24 volt LED work lamp, produces 100 watt halogen equivalent. Low current draw, 0.7 amp at 12 volt dc. Black powder coated die cast aluminium case, polycarbonate lens, supplied with stainless steel adjustable bracket and 350mm flying lead. The lamp can be linked with additional units. Protected to IP67. l 51 x w 61 x h 82mm.



Technical Drawing (not to scale)



Specification

Type	LED work lamp
Voltage	10-30 volt dc
Current	0.7 amp at 12 volt dc
LED	10 watt
Illumination	800 lumens
LED Lifespan	30,000 hrs
Lens	Glass
Housing	Die cast aluminium
Protection	IP67
Operating temperature	- 40°C to +60°C
Weight	330g
Dimensions	l 51 x w 61 x h 82mm
Certification	CE

The information contained in this document is correct to the best of our knowledge at the time of printing. However, specifications may change at any time without notice.